

STAINLESS STEEL SINK

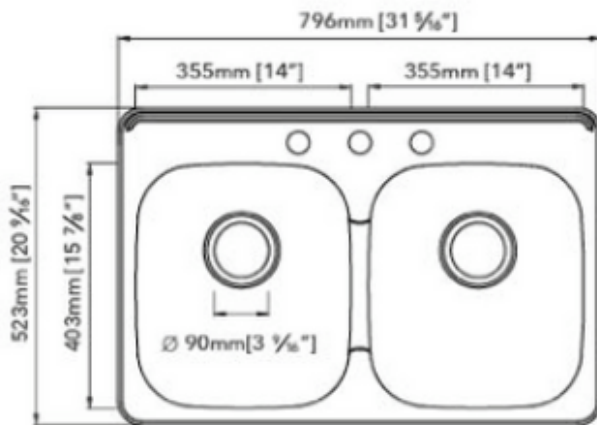
SPECIAL ORDER

MODEL: SS-116-20-3120A0

DEPTH	GAUGE	HOLES
8"	20	3



- Top-mount Double Bowl Sink 50/50
- Dimensions: 31-5/16"x20-9/16"
- Material: SS304
- Finish: Brushed



Undercoated and Sound Pads

3-1/2" Drain Opening

Supplied with Fasteners



cUPC Certified



SPECIFICATION

Disclaimer: Nerval makes every effort to provide accurate specification data. However, specification may change without notice. Please visit nerval website to see Nerval's terms and conditions.